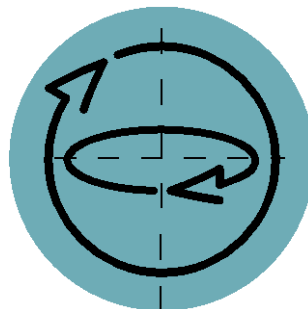


**Ersatzteilliste**  
**Spare Parts List**  
**Liste de pièces détachées**



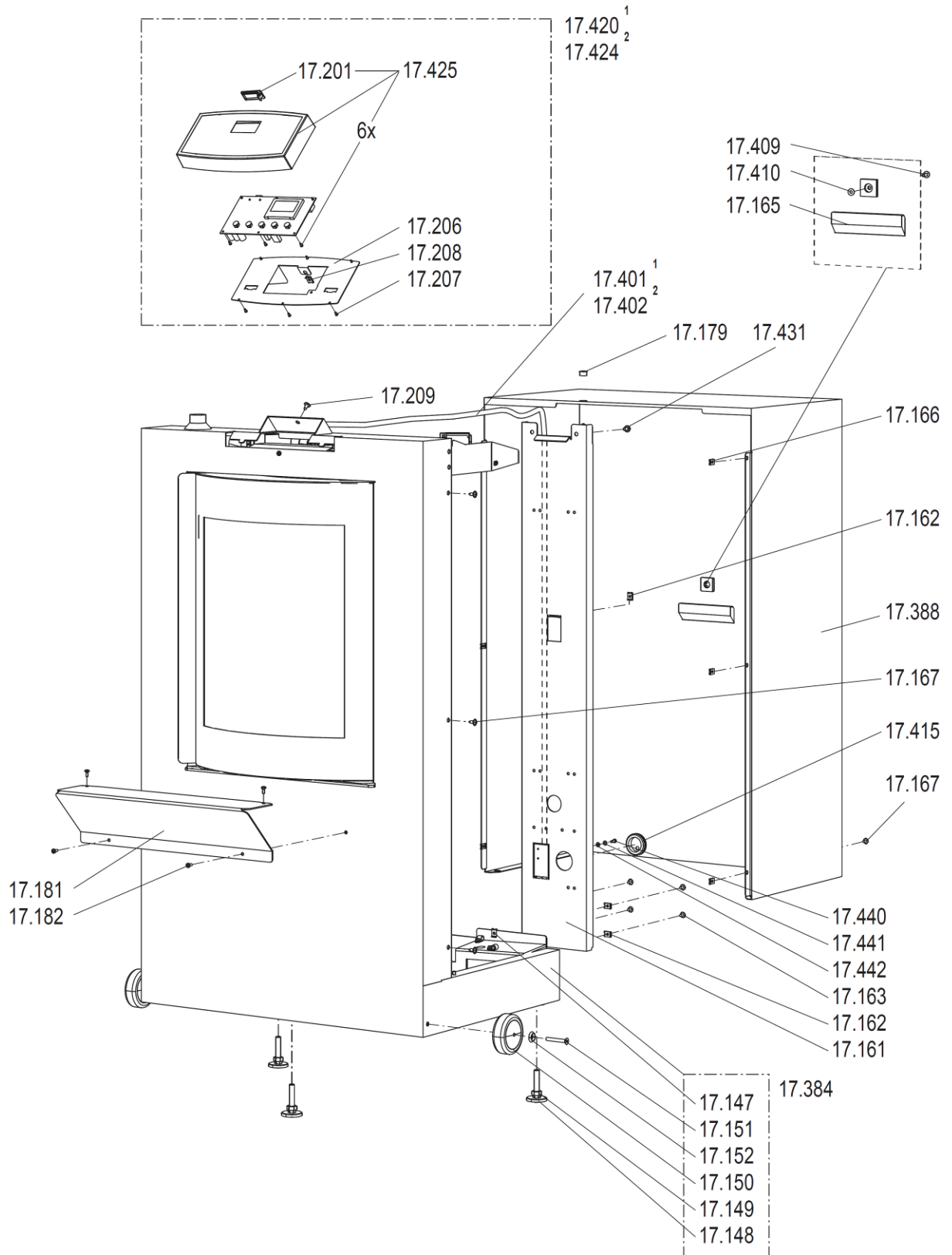
**VIBA 300, VIBA 330**

**Collomix<sup>®</sup>**

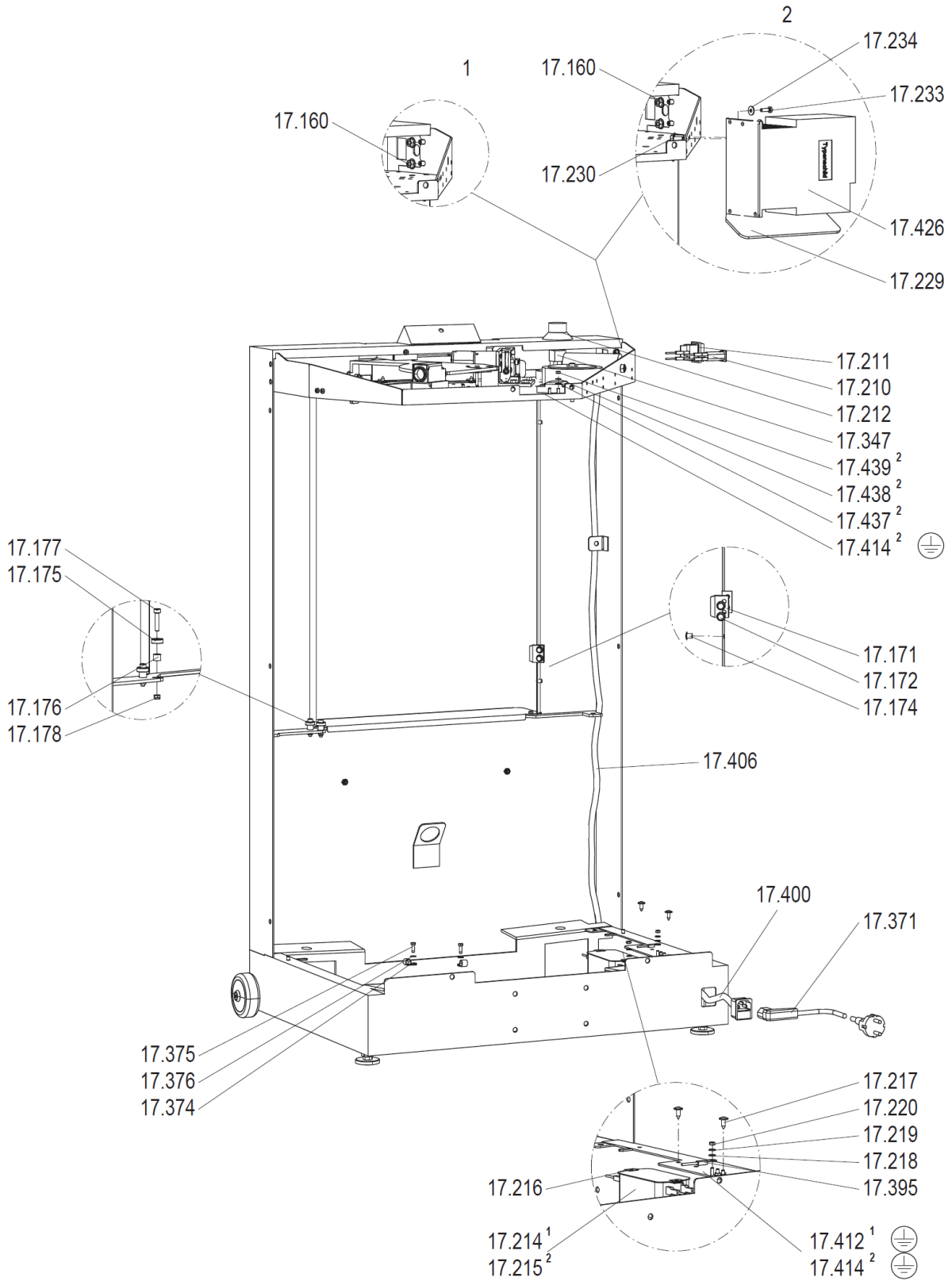
---

03-10/2022

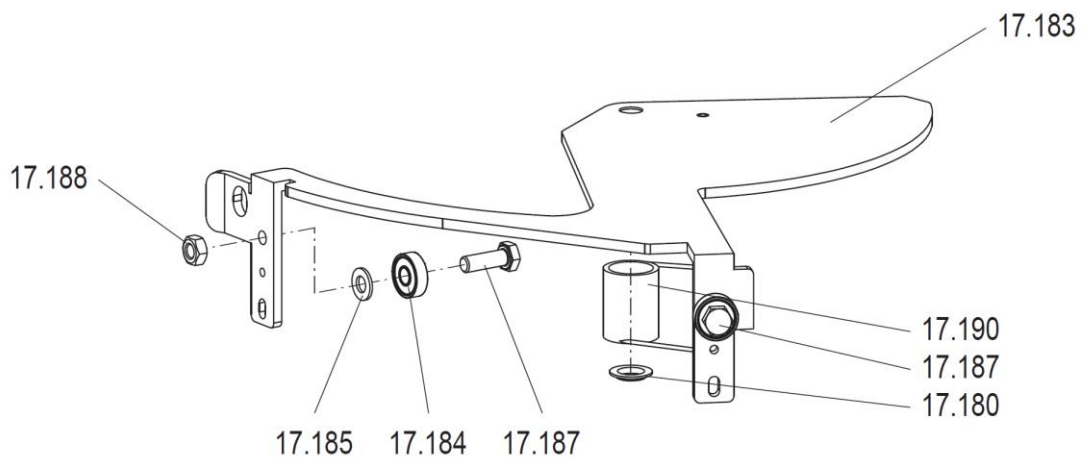
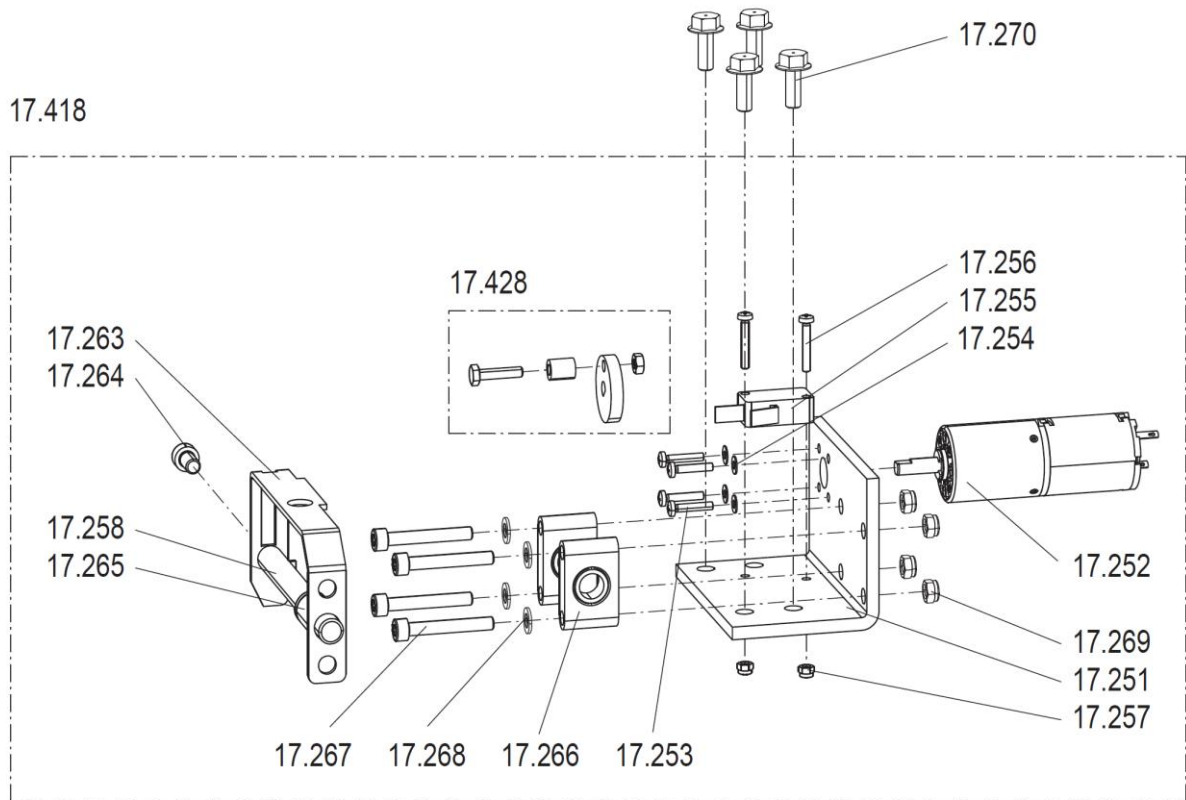
Leere Seite / Blank page / Page vide

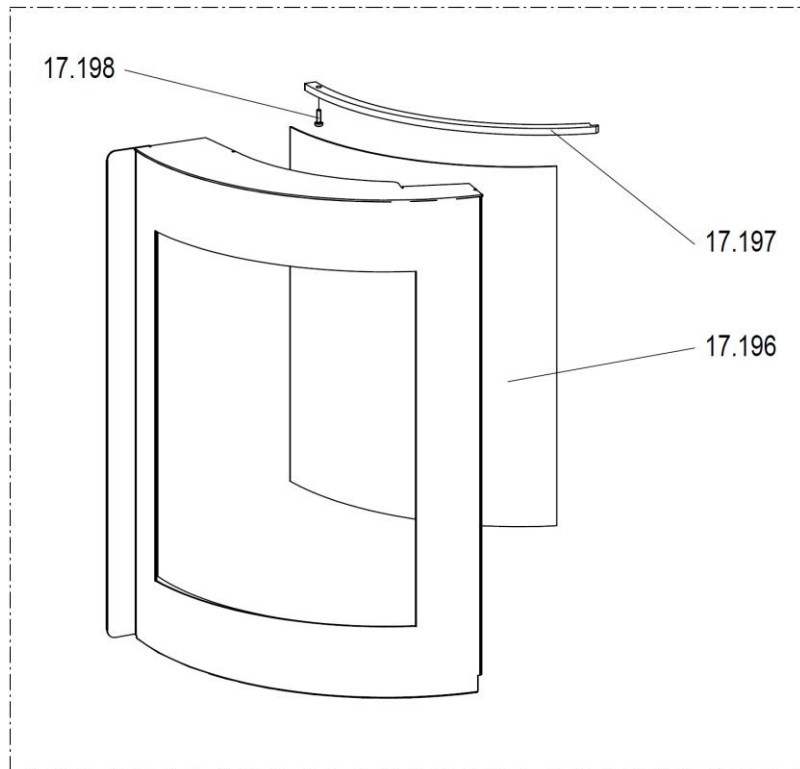
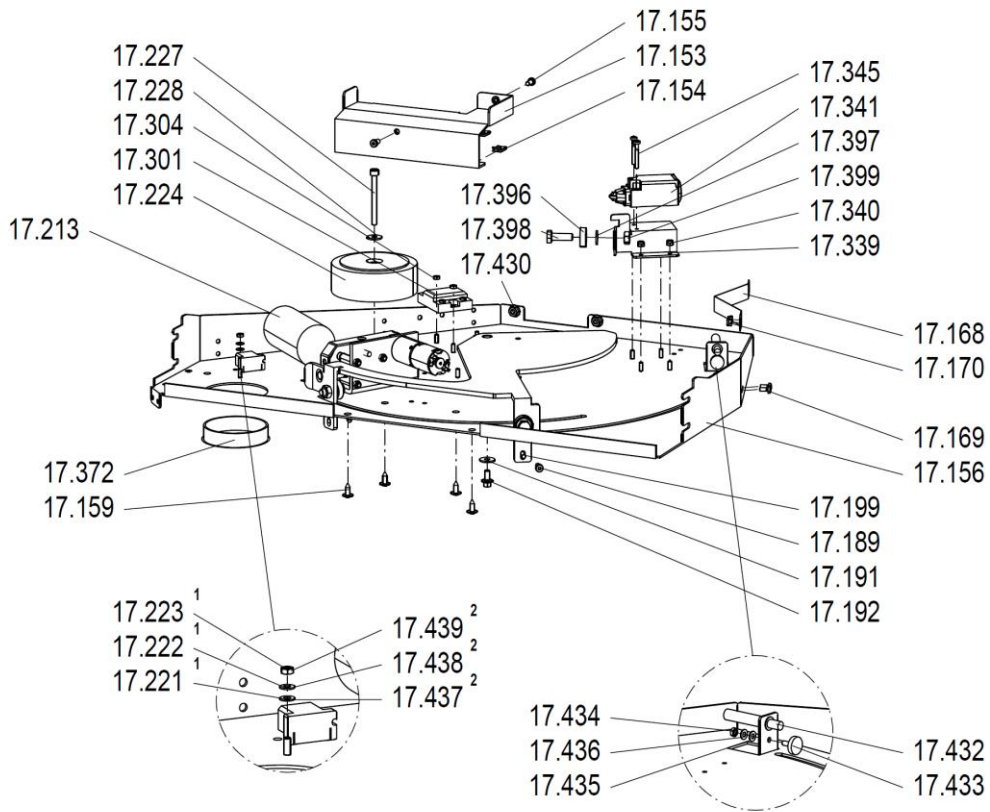


<sup>1</sup> = VIBA 300  
<sup>2</sup> = VIBA 330



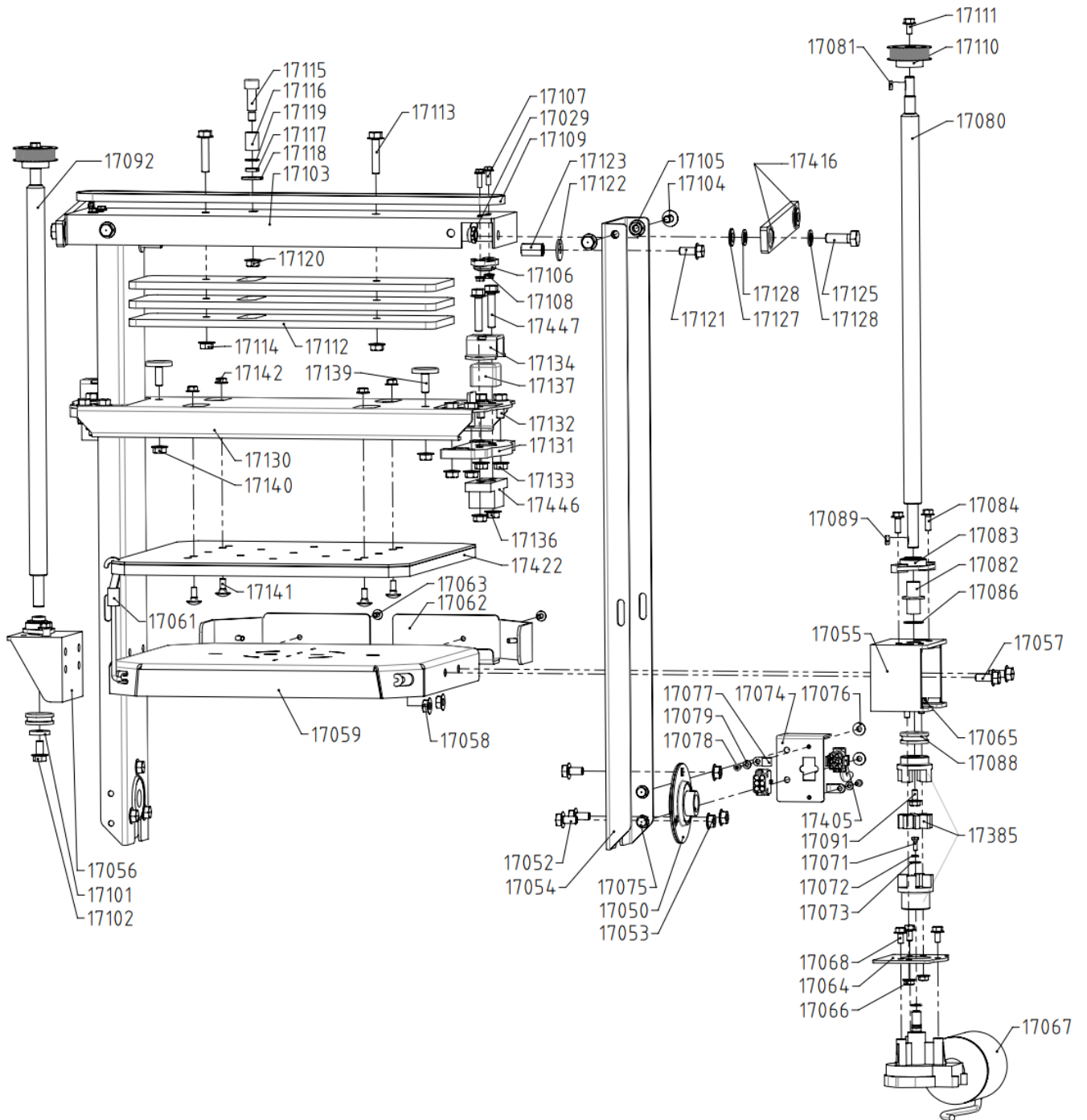
<sup>1</sup> = VIBA 300  
<sup>2</sup> = VIBA 330

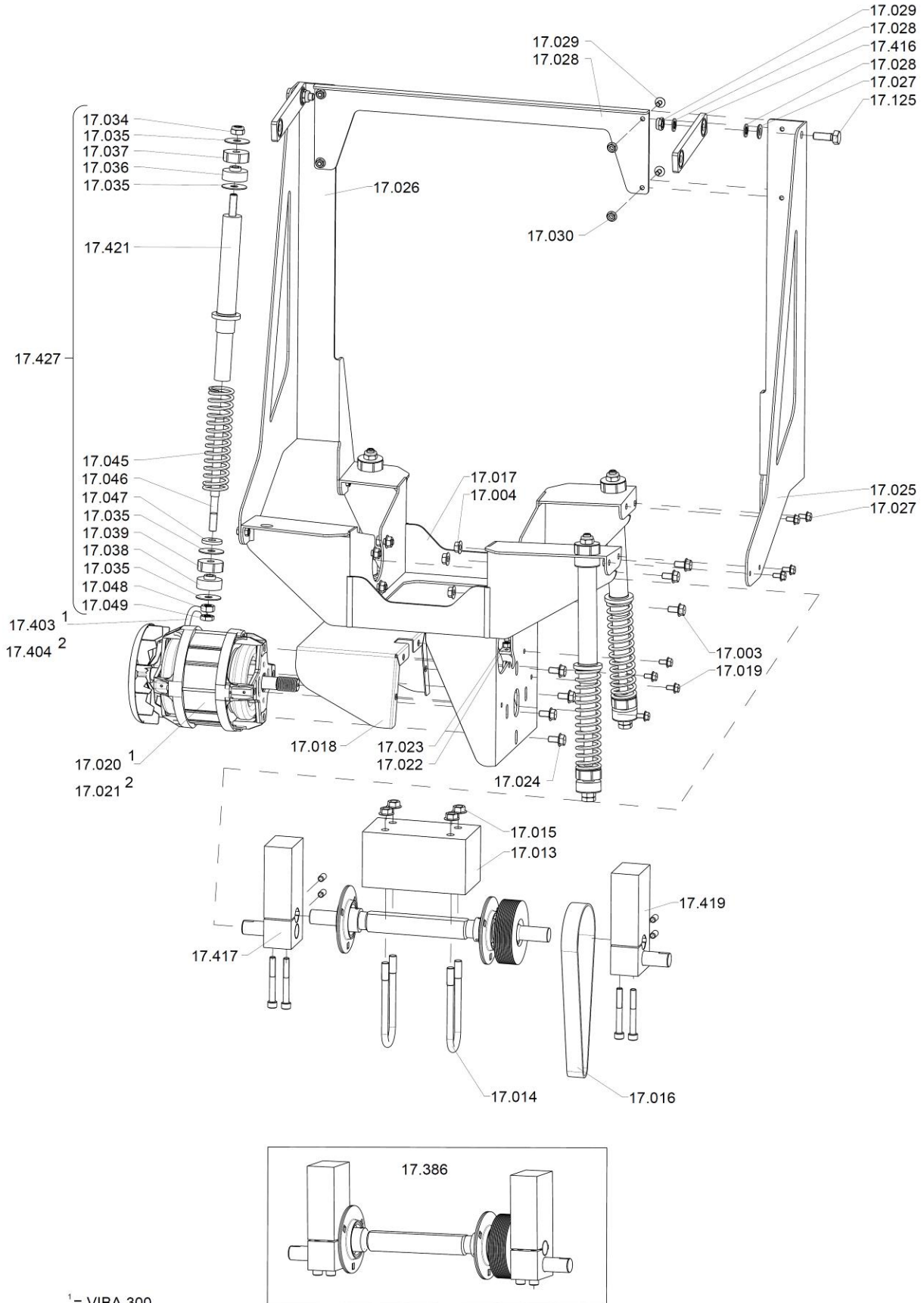




17.387

VIBA 300  
VIBA 330





<sup>1</sup> = VIBA 300  
<sup>2</sup> = VIBA 330



Z.-Nr. item No. No. écl.	Art.-Nr. order No. N° réf.	Artikel D	Designation GB	Designation F
17.003	50.088	Tensilock-Schraube M8x16 zn F90	Self-locking screw M8x16 F90	Vis autoblocante M8x16 zingué F90
17.004	50.092	Tensilock-Sicherungsmuttern M8 zn F90	Self-locking nut M8 F90	Ecrou autobloquant M8 zingué F90
17.013	64.361	Mittelmassengewicht	Compensating weight	Contrepoids
17.014	64.375	U-Bügel M10x25/25 mm	U-bolt M10x25/25 mm	Étrier M10x25/25 mm
17.015	50.090	Tensilock-Sicherungsmuttern M10 zn F90	Self-locking nut M10 F90	Ecrou autobloquant M10 zingué F90
17.016	64.095	Poly-V-Riemen l=559 10 PJ	Poly-V-belt l=559 10 PJ	Courroie Poly-V l=559 10 PJ
17.017	64.422	Schwingrahmen	Oscillation frame	Cadre oscillant
17.018	64.435	Motorabdeckung	Motor cover	Coiffe de moteur
17.019	50.067	Tensilock-Schraube M6x12 zn F90 8.8	Self-locking screw M6x12 8.8	Vis autoblocante M 6x12 zinguée
17.020	64.404	Hauptmotor 230V 50Hz	Main motor 230V 50Hz	Moteur principal 230V 50Hz
17.021	64.421	Hauptmotor 230V 50Hz	Main motor 230V 50Hz	Moteur principal 230V 50Hz
17.022	50.888	DIN 934 6-Kant-Mutter M6 zn	DIN 934 Hex nut M6 galv.	DIN 934 Écrou hex. M6 zingué
17.023	50.896	DIN 913 Gewindestift M6x25	DIN 913 Threaded pin M6x25	DIN 913 Tige filetée M6x25
17.024	50.088	Tensilock-Schraube M8x16 zn F90	Self-locking screw M8x16 F90	Vis autoblocante M8x16 zingué F90
17.025	64.436	Schwingrahmen Seite rechts	Oscillation frame right part	Cadre oscillant pièce a droite
17.026	64.437	Schwingrahmen Seite links	Oscillation frame left part	Cadre oscillant pièce a gauche
17.027	50.067	Tensilock-Schraube M6x12 zn F90 8.8	Self-locking screw M6x12 8.8	Vis autoblocante M 6x12 zinguée
17.028	64.364	Strebe Schwingrahmen	Brace	Potence
17.029	50.067	Tensilock-Schraube M6x12 zn F90 8.8	Self-locking screw M6x12 8.8	Vis autoblocante M 6x12 zinguée
17.030	50.091	Tensilock-Sicherungsmuttern M6 zn F90	Self-locking nut M6 F90	Ecrou autobloquant M6 zingué F90
17.034	50.863	DIN 985 6-Kant-Mutter M10 zn	DIN 985 Hex nut M10 galv.	DIN 985 Écrou hex. M10 zingué
17.035	50.094	Kotflügelscheibe d10,5 D35	Fender screw d10,5 D35	Vis papillon d10,5 D35
17.036	64.362	Gummironde mit Zentrierung rot	Rubber ronde with centring red	Rondelle caoutchouc avec centrage rouge
17.037	64.363	Gummironde mit Vertiefung red	Rubber ronde with recess red	Rondelle caoutchouc avec échancrure red
17.038	64.036	Gummironde mit Zentrierung schwarz	Rubber ronde with centring black	Rondelle caoutchouc avec centrage noir
17.039	64.037	Gummironde mit Vertiefung schwarz	Rubber ronde with recess black	Rondelle caoutchouc avec échancrure noir
17.045	64.125	Druckfeder D 328	Compression spring	Ressort de pression
17.046	64.124	Kolbenstange für Stosdämpfer	Piston rod for shock absorber	Tige de piston pour amortisseur
17.047	51.077	DIN 6340 Scheibe 10,5	DIN 6340 Washer 10,5	DIN 6340 Rondelle 10,5
17.048	50.806	DIN 934 6-Kant-Mutter M10 zn	DIN 934 Hex nut M10 galv.	DIN 934 Écrou hex. M10 zingué
17.049	50.801	DIN 936 6-Kant-Mutter M10 zn	DIN 936 Hex nut M10 galv.	DIN 936 Écrou hex. M10 zingué

Z.-Nr. item No. No. écl.	Art.-Nr. order No. N° réf.	Artikel D	Designation GB	Designation F
17.050	69.026	Flanschlager RAY 20	Flange bearing RAY 20	Palier de flasque RAY 20
17.052	50.088	Tensilock-Schraube M8x16 zn F90	Self-locking screw M8x16 F90	Vis autoblocante M8x16 zingué F90
17.053	50.092	Tensilock-Sicherungsmuttern M8 zn F90	Self-locking nut M8 F90	Ecrou autoblocant M8 zingué F90
17.054	64.365	Seitenwange	Side flank	Joues latérales
17.055	64.390	Spindellager träger rechts	Spindle bearing mounting right	Console de broche filetée à droit
17.056	64.391	Spindellagerträger links	Spindle bearing mounting left	Console de broche filetée à gauche
17.057	50.100	Tensilock-Schraube M8x20 zn F90	Self-locking screw M8x20 F90	Vis autoblocante M8x20 zingué F90
17.058	50.092	Tensilock-Sicherungsmuttern M8 zn F90	Self-locking nut M8 F90	Ecrou autoblocant M8 zingué F90
17.059	64.396	Mischtisch	Mixing table	Table de mélange
17.061	64.447	Henkelsicherung Haken	Rubber band with hook	Elastique avec crocher
17.062	64.366	Anschlagblech	Stopper for mixing table	Butée pour table de mélange
17.063	50.093	Tensilock-Schraube M5x12 zn F90	Self-locking screw M5x12 F90	Vis autoblocante M5x12 zingué F90
17.064	64.367	Adapterblech	Adapter plate	Tôle d'adaption
17.065	50.067	Tensilock-Schraube M6x12 zn F90 8.8	Self-locking screw M6x12 8.8	Vis autoblocante M 6x12 zinguée
17.066	50.091	Tensilock-Sicherungsmuttern M6 zn F90	Self-locking nut M6 F90	Ecrou autoblocant M6 zingué F90
17.067	64.359	Spannmotor	Clamping motor	Moteur de serrage
17.068	50.067	Tensilock-Schraube M6x12 zn F90 8.8	Self-locking screw M6x12 8.8	Vis autoblocante M 6x12 zinguée
17.071	50.946	DIN 933 6-Kant-Schraube M4x12 zn	DIN 933 Hex screw M4x12 galv.	DIN 933 Boulon hex. M4x12 zingué
17.072	50.017	DIN 127 Federring B4 zn	DIN 127 Split washer B4 galv.	DIN 127 Rondelle Grower B4 zingué
17.073	51.003	DIN 9021 Scheibe D4,3 zn	DIN 9021 Washer D4,3 galv.	DIN 9021 Rondelle D4,3 zingué
17.074	64.411	Aufnahme Stecker	Carrier for plug	Réceptacle de prise
17.075	50.067	Tensilock-Schraube M6x12 zn F90 8.8	Self-locking screw M6x12 8.8	Vis autoblocante M 6x12 zinguée
17.076	50.091	Tensilock-Sicherungsmuttern M6 zn F90	Self-locking nut M6 F90	Ecrou autoblocant M6 zingué F90
17.077	61.104	Zugentlastung	Strain relief device	Serre-câble
17.078	51.002	DIN 7985 Linsenschraube M4x10 zn	DIN 7985 Oval head screw M4x10 galv.	DIN 7985 Vis à tête bombée M4x10 zingué
17.079	50.017	DIN 127 Federring B4 zn	DIN 127 Split washer B4 galv.	DIN 127 Rondelle Grower B4 zingué
17.080	64.402	Gewindespindel rechts	Threaded spindle right	Broche filetée à droite
17.081	50.118	DIN 6885 Paßfeder FormA 3x3x10	DIN 6885 Feather key form A 3x3x10	DIN 6885 Clavette parallèle forme A 3x3x10
17.082	64.348	Spindelhülse klein	Bushing	Douille
17.083	64.344	Flanschlager	Flange bearing	Palier de flasque
17.084	50.099	Tensilock-Schraube M6x20	Self-locking screw M5x12 F90	Vis autoblocante M5x12

Z.-Nr. item No. No. écl.	Art.-Nr. order No. N° réf.	Artikel D	Designation GB	Designation F
		zn F90		zingué F90
17.085	50.091	Tensilock-Sicherungsmuttern M6 zn F90	Self-locking nut M6 F90	Ecrou autobloquant M6 zingué F90
17.086	64.332	Anlaufscheibe	Thrust ring	Rondelle
17.088	69.018	Axialrillenkugellager 51202	Deep groove ball thrust bearing 51202	Roulement 51202
17.089	50.120	DIN 6885 Paßfeder FormA 4x4x10	DIN 6885 Feather key formA 3x3x10	DIN 6885 Clavette parallèle formeA 3x3x10
17.091	50.088	Tensilock-Schraube M8x16 zn F90	Self-locking screw M8x16 F90	Vis autobloquante M8x16 zingué F90
17.092	64.401	Gewindespindel links	Threaded spindle left	Broche filetée à gauche
17.096	51.105	Tensilock-Sicherungsmuttern M5 zn F90	Self-locking nut M5 F90	Ecrou autobloquant M5 zingué F90
17.101	51.080	DIN 6340 Scheibe 8,4	DIN 6340 Washer 8,4	DIN 6340 Rondelle 8,4
17.102	50.088	Tensilock-Schraube M8x16 zn F90	Self-locking screw M8x16 F90	Vis autobloquante M8x16 zingué F90
17.103	64.368	Traverse	Cross beam	Traverse
17.104	50.088	Tensilock-Schraube M8x16 zn F90	Self-locking screw M8x16 F90	Vis autobloquante M8x16 zingué F90
17.105	50.092	Tensilock-Sicherungsmuttern M8 zn F90	Self-locking nut M8 F90	Ecrou autobloquant M8 zingué F90
17.106	64.346	Flanschlager	Flange bearing	Flanschlager
17.107	50.121	Tensilock-Schraube M5x16 zn F90	Self-locking screw M5x16 zn F90	Vis autobloquante M5x16 zn F90
17.108	51.105	Tensilock-Sicherungsmuttern M5 zn F90	Self-locking nut M5 F90	Ecrou autobloquant M5 zingué F90
17.109	64.356	Zahnriemen HTD	Toothed belt HTD	Courroie crantée HTD
17.110	64.355	Zahnriemenscheibe	Toothed belt pulley	Poulie de courroie
17.111	50.067	Tensilock-Schraube M6x12 zn F90 8.8	Self-locking screw M6x12 8.8	Vis autobloquante M 6x12 zinguée
17.112	64.369	Zusatzmassenblech	Weight plate	Tôle de poids
17.113	50.111	Tensilock-Schraube M8x40 zn F90	Self-locking screw M8x40 zn F90	Vis autobloquante M8x40 zn F90
17.114	50.092	Tensilock-Sicherungsmuttern M8 zn F90	Self-locking nut M8 F90	Ecrou autobloquant M8 zingué F90
17.115	50.152	ISO 7379 Paßschulterschraube d=20xL25	ISO 7379 screw d=20xL25	ISO 7379 vis d=20xL25
17.116	64.338	Distanzhülse	Distance sleeve	Douille de distance
17.117	64.337	Distanzhülse	Distance sleeve	Ddouille de distance
17.118	51.155	DIN 988 Paßscheibe D16d10S1,0	DIN 988 Shim ring D16d10S1,0	DIN 988 Rondelle d'ajustage D16d10S1,0
17.119	51.005	DIN 9021 Scheibe B8,4 zn	DIN 9021 Washer B8,4 galv.	DIN 9021 Rondelle B8,4 zingué
17.120	50.092	Tensilock-Sicherungsmuttern M8 zn F90	Self-locking nut M8 F90	Ecrou autobloquant M8 zingué F90
17.121	50.100	Tensilock-Schraube M8x20 zn F90	Self-locking screw M8x20 F90	Vis autobloquante M8x20 zingué F90
17.122	51.005	DIN 9021 Scheibe B8,4 zn	DIN 9021 Washer B8,4 galv.	DIN 9021 Rondelle B8,4 zingué

Z.-Nr. item No.	Art.-Nr. order No.	Artikel D	Designation GB	Designation F
No. écl.	N° réf.			
17.123	50.050	DIN 6334 Mutter M8 3xd zn	DIN 6334 Hex nut M8 3xd	DIN 6334 Écrou hex. M8 3xd
17.125	50.860	DIN 931 6-Kant-Schraube M10x30 zn	DIN 931 Hex screw M10x30 galv.	DIN 931 Boulon hex. M10x30 zingué
17.127	50.002	DIN 125 Scheibe B10,5 zn	DIN 125 Disc B10,5 galv.	DIN 125 Rondelle B10,5 zingué
17.128	50.426	DIN 433 Scheibe 10,5 ST zn	DIN 433 Washer 10,5 ST galv.	DIN 433 Disque 10,5 ST zingué
17.129	50.863	DIN 985 6-Kant-Mutter M10 zn	DIN 985 Hex nut M10 galv.	DIN 985 Écrou hex. M10 zingué
17.130	64.372	Spannplattenträger	Carrier for clamping plate	Fixation de plateau de serrage
17.131	64.370	Joch Spannplattenträger	Brace	Joug
17.132	50.100	Tensilock-Schraube M8x20 zn F90	Self-locking screw M8x20 F90	Vis autoblocante M8x20 zingué F90
17.133	50.092	Tensilock-Sicherungsmuttern M8 zn F90	Self-locking nut M8 F90	Ecrou autoblocant M8 zingué F90
17.134	64.371	Joch Mutterführung	Guide for spindle nut	Guidage de ecrou de vis sans fin
17.136	50.092	Tensilock-Sicherungsmuttern M8 zn F90	Self-locking nut M8 F90	Ecrou autoblocant M8 zingué F90
17.137	64.403	Spindelmutter	Spindle nut	Ecrou de vis sans fin
17.138	61.299	Fett EP2 150 gr.	graisse EP2 150gr.	graisse EP2 150gr.
17.139	64.341	Gummi-Metall Puffer	Rubber-metal buffer	Tampon en métal et caoutchouc
17.140	50.092	Tensilock-Sicherungsmuttern M8 zn F90	Self-locking nut M8 F90	Ecrou autoblocant M8 zingué F90
17.141	50.116	DIN 603 Flachrundschrabe M6x16 zn	DIN 603 Screw M6x16 zn	DIN 603 Vis a tête bombée M6x16 zn
17.142	50.091	Tensilock-Sicherungsmuttern M6 zn F90	Self-locking nut M6 F90	Ecrou autoblocant M6 zingué F90
17.147	50.069	Blechmutter 4,8 zn, 15 mm lang	Sheet-metal nut 4,8 15 mm long	Ecrou tôle 4,8
17.148	64.015	Maschinenfuß Viba 25	Machine feet Viba 25	Pieds Viba 25
17.149	50.806	DIN 934 6-Kant-Mutter M10 zn	DIN 934 Hex nut M10 galv.	DIN 934 Écrou hex. M10 zingué
17.150	64.063	Rad aus Polypropylen	Wheel polypropylene	Roue en polypropylène
17.151	51.092	DIN 7991 Senkk Innen-6-Kant M6x45 zn	DIN 7991 hex screw M6x45	DIN 7991 Vis 6 pans creux M6x45 zingué
17.152	50.012	Rosette U-Scheibe # 188 ms/ve	Rosette U-plate # 188 ms/ve	Rosette U-rondelle # 188 ms/ve
17.153	64.388	Kabelabdeckung	Cover	Couvercle
17.154	50.069	Blechmutter 4,8 zn, 15 mm lang	Sheet-metal nut 4,8 15 mm long	Ecrou tôle 4,8
17.155	50.159	DIN 7984 Inbusschraube M5x10 zn	DIN 7984 scew M5x10 zn	DIN 7984 Vis M5x10zn
17.156	64.439	Trapezblech	trapezoidal sheet	Bac acier
17.159	50.068	DIN 968 Blechschrabe 4,8x13 schwarz zn	DIN 968 Self-tapping screw 4,8x13 black galv.	DIN 968 Vis à tôle 4,8x13 noir zingué
17.160	50.091	Tensilock-Sicherungsmuttern M6 zn F90	Self-locking nut M6 F90	Ecrou autoblocant M6 zingué F90
17.161	64.384	Verstrebung	Cross-tie	Contre-fiche

Z.-Nr. item No. No. écl.	Art.-Nr. order No. N° réf.	Artikel D	Designation GB	Designation F
17.162	50.069	Blechmutter 4,8 zn, 15 mm lang	Sheet-metal nut 4,8 15 mm long	Ecrou tôle 4,8
17.163	50.068	DIN 968 Blechschraube 4,8x13 schwarz zn	DIN 968 Self-tapping screw 4,8x13 black galv.	DIN 968 Vis à tôle 4,8x13 noir zingué
17.165	64.022	Griffmulde Viba 25	Grip recess Viba 25	Coque de poignée Viba 25
17.166	50.069	Blechmutter 4,8 zn, 15 mm lang	Sheet-metal nut 4,8 15 mm long	Ecrou tôle 4,8
17.167	50.068	DIN 968 Blechschraube 4,8x13 schwarz zn	DIN 968 Self-tapping screw 4,8x13 black galv.	DIN 968 Vis à tôle 4,8x13 noir zingué
17.168	62.467	Feder	Spring	Ressort
17.169	51.002	DIN 7985 Linsenschraube M4x10 zn	DIN 7985 Oval head screw M4x10 galv.	DIN 7985 Vis à tête bombée M4x10 zingué
17.170	50.835	DIN 985 6-Kant-Mutter M4 zn	DIN 985 Hex nut M4 galv.	DIN 985 Écrou hex. M4 zingué
17.171	64.351	Arretierung Schwenktür	Catch	Blocage
17.172	50.121	Tensilock-Schraube M5x16 zn F90	Self-locking screw M5x16 zn F90	Vis autoblocante M5x16 zn F90
17.174	64.339	Zierstopfen	Plug	Bouchon
17.175	69.030	Rillenkugellager 625 ZZ	Deep groove ball bearing 625 ZZ	Roulement à billes 625 ZZ
17.176	64.376	Distanzhülse	Distance sleeve	Douille de distance
17.177	50.951	DIN 912 Inbusschraube M5x25zn	DIN 912 Socket head screw M5x25 galv.	DIN 912 Boulon Inbus M5x25 zingué
17.178	50.981	DIN 985 6-Kant-Mutter M5 zn	DIN 985 Hex nut M5 galv.	DIN 985 Écrou hex. M5 zingué
17.179	64.077	Abdeckkappe	Cap	Cache
17.180	64.345	Gleitlager	Bush bearing	Roulement coulissant
17.181	64.383	Ladeboard V2A	Loading shelf V2A	Plateau de chargement V2A
17.182	51.002	DIN 7985 Linsenschraube M4x10 zn	DIN 7985 Oval head screw M4x10 galv.	DIN 7985 Vis à tête bombée M4x10 zingué
17.183	64.398	Mitnehmer Tür	Cam	Came
17.184	69.014	Rillenkugellager 608 ZZ	Deep groove ball bearing 608 ZZ	Roulement à billes rigide 608 ZZ
17.185	50.027	DIN 125 Scheibe B8,4 zn	DIN 125 Disc B8,4 galv.	DIN 125 Rondelle B8,4 zingué
17.187	50.151	DIN 933 6-Kant-Schraube M8x25 Messing	DIN 933 screw M8x25 brass	DIN 933 Boulon hex. M8x25 laiton
17.188	50.092	Tensilock-Sicherungsmuttern M8 zn F90	Self-locking nut M8 F90	Ecrou autoblocant M8 zingué F90
17.189	50.159	DIN 7984 Inbusschraube M5x10 zn	DIN 7984 scREW M5x10 zn	DIN 7984 Vis M5x10zn
17.190	64.331	Schenkelfeder	Leg spring	Ressort de torsion
17.191	51.019	DIN 9021 Scheibe B6,4 zn	DIN 9021 Washer B6,4 galv.	DIN 9021 Rondelle B6,4 zingué
17.192	50.067	Tensilock-Schraube M6x12 zn F90 8.8	Self-locking screw M6x12 8.8	Vis autoblocante M 6x12 zinguée
17.196	64.334	Fensterscheibe	Window	Vitre
17.197	64.406	Klemmung Scheibe	Clip	Clip de fixation
17.198	51.065	DIN 7985 Linsenschraube M5x14 4.8 zn	DIN 7985 Oval head screw M5x14 4.8 galv.	DIN 7985 Vis á tête bombée M5x14 4.8 zingué
17.199	50.093	Tensilock-Schraube M5x12 zn F90	Self-locking screw M5x12 F90	Vis autoblocante M5x12 zingué F90
17.201	64.503	Abdeckstopfen	Cover plug	Bouchon de recouvrement

Z.-Nr. item No. No. écl.	Art.-Nr. order No. N° réf.	Artikel D	Designation GB	Designation F
17.206	64.387	Deckel	Cover	Couvercle
17.207	50.119	Schraube 3,0 x 6 T10	Screw 3,0 x 6 T10	Vis 3,0 x 6 T10
17.208	50.069	Blechmutter 4,8 zn, 15 mm lang	Sheet-metal nut 4,8 15 mm long	Ecrou tôle 4,8
17.209	50.068	DIN 968 Blechschraube 4,8x13 schwarz zn	DIN 968 Self-tapping screw 4,8x13 black galv.	DIN 968 Vis à tôle 4,8x13 noir zingué
17.210	64.357	Schutzschalter	Protective switch	Disjoncteur
17.211	62.483	Hauptschalter 250V 16 A	Main switch 230V 16A	Interrupteur principal 230V 16A
17.212	62.073	Not-Aus-Taster	Emergency-Stop pushbutton	Bouton d'arrêt d'urgence
17.213	64.080	Kondensator für Motor Viba 25	Capacitor VIBA 25	Condensateur pour moteur Viba 25
17.214	64.394	Netzentstörfilter	Mains suppression filter	Filtre antiparasite de secteur
17.215	62.597	Netzentstörfilter R20/30 B22/33	Mains suppression filter R20/30 B22/33	Filtre antiparasite de secteur R20/30 B22/33
17.216	50.069	Blechmutter 4,8 zn, 15 mm lang	Sheet-metal nut 4,8 15 mm long	Ecrou tôle 4,8
17.217	50.068	DIN 968 Blechschraube 4,8x13 schwarz zn	DIN 968 Self-tapping screw 4,8x13 black galv.	DIN 968 Vis à tôle 4,8x13 noir zingué
17.218	50.032	DIN 125 Scheibe B5,3 ST zn	DIN 125 Disc B5,3 ST galv.	DIN 125 Rondelle B5,3 ST zingué
17.219	50.017	DIN 127 Federring B4 zn	DIN 127 Split washer B4 galv.	DIN 127 Rondelle Grower B4 zingué
17.220	50.825	DIN 934 6-Kant-Mutter M4 zn	DIN 934 Hex nut M4 galv.	DIN 934 Écrou hex. M4 zingué
17.221	50.032	DIN 125 Scheibe B5,3 ST zn	DIN 125 Disc B5,3 ST galv.	DIN 125 Rondelle B5,3 ST zingué
17.222	50.017	DIN 127 Federring B4 zn	DIN 127 Split washer B4 galv.	DIN 127 Rondelle Grower B4 zingué
17.223	50.825	DIN 934 6-Kant-Mutter M4 zn	DIN 934 Hex nut M4 galv.	DIN 934 Écrou hex. M4 zingué
17.224	64.379	Ringkerntransformator	Toroidal transformer	Transformateur toroïdal
17.227	50.875	DIN 912 Inbusschraube M6x65 zn	DIN 912 Socket head screw M6x65 galv.	DIN 912 Boulon Inbus M6x65 zingué
17.228	51.019	DIN 9021 Scheibe B6,4 zn	DIN 9021 Washer B6,4 galv.	DIN 9021 Rondelle B6,4 zingué
17.229	64.441	Halteblech	Bracket	Tôle de tenue
17.230	50.093	Tensilock-Schraube M5x12 zn F90	Self-locking screw M5x12 F90	Vis autoblocante M5x12 zingué F90
17.233	51.130	DIN 7985 Linsenschraube M4x16 zn	DIN 7985 Oval head screw M4x16 galv.	DIN 7985 Vis à tête bombée M4x16 zingué
17.234	51.003	DIN 9021 Scheibe D4,3 zn	DIN 9021 Washer D4,3 galv.	DIN 9021 Rondelle D4,3 zingué
17.251	62.499	Haltwinkel	Angle bracket	Équerre de fixation
17.252	62.452	Getriebemotor	Gear motor	Motoréducteur
17.253	50.128	ISO 7380 Flachkopfschr. M3x12	ISO 7380 screw M3x12	ISO 7380 vis M3x12
17.254	50.010	DIN 127 Federring B3 zn	DIN 127 Split washer B3 galv.	DIN 127 Rondelle Grower B3 zingué
17.255	61.363	Microschalter	Micro switch	Microcontacteur
17.256	50.123	ISO 7380 Flachkopfschr. M3x20	ISO 7380 screw M3x20	ISO 7380 vis M3x20

Z.-Nr. item No.	Art.-Nr. order No.	Artikel D	Designation GB	Designation F
No. écl.	N° réf.			
17.257	50.140	DIN 985 6-Kant-Mutter M3 zn	DIN 985 Hex nut M3 galv.	DIN 985 Écrou hex. M3 zingué
17.258	62.438	Raststift	Latching pin	Pointeau
17.263	62.509	Bügel Verriegelung	Locking yoke	Étrier de verrouillage
17.264	50.963	DIN EN ISO4762 Inbusschr M6x12	DIN EN ISO4762 Socket head screw M6x12	DIN EN ISO4762 Boulon Inbus M6x12
17.265	62.416	Druckfeder	Compression spring	Ressort de pression
17.266	62.410	Stehlager	Pedestal bearing	Palier fixe
17.267	50.149	DIN 912 Inbusschraube M5x35 zn	DIN 912 Socket head screw M5x35 galv.	DIN 912 Boulon Inbus M5x35 zingué
17.268	50.131	DIN 125 Scheibe B5,3 zn	DIN 125 Disc B5,3 galv.	DIN 125 Rondelle B5,3 zingué
17.269	50.981	DIN 985 6-Kant-Mutter M5 zn	DIN 985 Hex nut M5 galv.	DIN 985 Écrou hex. M5 zingué
17.270	50.067	Tensilock-Schraube M6x12 zn F90 8.8	Self-locking screw M6x12 8.8	Vis autoblocante M 6x12 zinguée
17.301	64.513	Lastrelais Cosmo	Power relay Cosmo	Relais Cosmo
17.304	50.835	DIN 985 6-Kant-Mutter M4 zn	DIN 985 Hex nut M4 galv.	DIN 985 Écrou hex. M4 zingué
17.322	61.144	Flachsteckhülse 6,3x0,8	Male spade 6,3x0,8	Raccord à douille plate 6,3x0,8
17.323	62.278	Isoliertülle für Flachstecker 6,3 x 0,8	Conduit sleeve 6,3x0,8	Conduit isolant 6,3x0,8
17.326	62.108	Flachsteckhülse 2,8x0,8	Male spade 2,8x0,8	Raccord à douille plate 2,8x0,8
17.331	64.060	Stecker FK MCP 1,5 4 polig Raster 3,5	Plug FK MCP 1,5	Prise FK MCP 1,5, 4 pôles, trame 3,5
17.339	64.438	Halter Sicherheitsschalter	Mount	Cadre support
17.340	50.835	DIN 985 6-Kant-Mutter M4 zn	DIN 985 Hex nut M4 galv.	DIN 985 Écrou hex. M4 zingué
17.341	64.358	Türschalter	Door switch	Interrupteur de porte
17.342	61.295	Verschraubung M20 x1,5	Screw connection M20 x1,5	Connection M20x1,5
17.343	64.358	Türschalter	Door switch	Interrupteur de porte
17.344	61.295	Verschraubung M20 x1,5	Screw connection M20 x1,5	Connection M20x1,5
17.345	50.021	DIN 7985 Linsenschraube M4x30 zn	DIN 7985 Oval head screw M4x30 galv.	DIN 7985 Vis á tête bombée M4x30 zingué
17.347	62.264	Schaltelement Not-Aus-Taster BZOO	Control element BZOO	Element de circuit BZOO
17.371	72.607	Netzkabel mit Kaltgerätestecker angewinkelt	Mains Cable with ICE connector	Câble d'alimentation secteur avec prise ICE
17.372	64.442	Abdeckkappe	Cap	Cache
17.374	61.104	Zugentlastung	Strain relief device	Serre-câble
17.375	50.973	DIN 7981 Linsenblechschrabe	DIN 7981 Self tapping convex head screw	DIN 7981 Vis concave
17.376	50.017	DIN 127 Federring B4 zn	DIN 127 Split washer B4 galv.	DIN 127 Rondelle Grower B4 zingué
17.384	74.500	Gehäuse	Housing	Carrosserie
17.385	72.184	kupplung komplett bearbeitet Viba 300/330	kupplung komplett bearbeitet Viba 300/330	Levier de blocage R20/30 B22/33 zinguée
17.386	74.507	Kurbelwelle	Crankshaft	Arbre manivelle
17.387	74.504	Tür komplett	Door complete	Porte complète
17.388	74.502	Haube Viba 300	Hood complete	Capot complet
17.395	72.597	Schutzleiter Netzentstörfilter	Protective grounding	Conducteur de protection

Z.-Nr. item No. No. écl.	Art.-Nr. order No. N° réf.	Artikel D	Designation GB	Designation F
17.396	69.030	Rillenkugellager 625 ZZ	Deep groove ball bearing 625 ZZ	Roulement à billes 625 ZZ
17.397	50.131	DIN 125 Scheibe B5,3 zn	DIN 125 Disc B5,3 galv.	DIN 125 Rondelle B5,3 zingué
17.398	51.065	DIN 7985 Linsenschraube M5x14 4.8 zn	DIN 7985 Oval head screw M5x14 4.8 galv.	DIN 7985 Vis á tête bombée M5x14 4.8 zingué
17.399	50.981	DIN 985 6-Kant-Mutter M5 zn	DIN 985 Hex nut M5 galv.	DIN 985 Écrou hex. M5 zingué
17.400	72.129	Kaltgerätestecker komplett	Mains inlet complete	Fiche mâle
17.401	74.161	Kabelbaum	Wiring harness	Faisceau de câbles
17.402	74.157	Kabelbaum	Wiring harness	Faisceau de câbles
17.403	74.164	Zuleitung Hauptmotor	Cabel main motor	Câble moteur principal
17.404	74.165	Zuleitung Hauptmotor	Cabel main motor	Câble moteur principal
17.405	74.162	Zuleitung Spannmotor	Cable clamping motor	Câble moteur de serrage
17.406	74.166	Anschluß Hauptschalter	Cabel main switch	Câble interrupteur principal
17.409	51.164	DIN 967 Schraube M5x16	DIN 967 Screw M5x16	DIN 967 Vis M5x16
17.410	64.450	Federscheibe 4mm	Lock washer 4mm	Disque de ressort 4mm
17.411	64.449	Dämmplatte	Sound proofing pane	Plaque d'amortissement
17.414	00.125	Schutzleiterzeichen	Sticker grounding conductor	Autocollant conducteur de protection
17.415	64452	Tülle	Protective Sleeve	Duille
17.416	74.001	Schwinghebel mit Kugellager montiert	Oscillating arm with ball bearing, assembled	Levier pivotant avec roulement à billes
17.417	74.048	Kurbelarm links	Crank arm left	Bras gauche de manivelle
17.418	74.163	Verriegelung Tür kpl.	Door locking compl.	Verouillage de porte compl.
17.419	74.167	Kurbelarm rechts	Crank arm right	Bras droit de manivelle
17.420	74.506	Bedienteil Viba 300	Control unit VIBA 300	Boîtier de commandes VIBA 300
17.421	74.508	Hülse für Stossdämpfer	Tube for shock absorber	Douille pour amortisseur
17.422	74.510	Spannteller	Clamping plate	Plateau de serrage
17.424	74.516	Bedienteil VIBA 330	Control unit VIBA 330	Boîtier de commandes VIBA 330
17.425	74.521	Aufarbeitungsset für Bedienteil	Refurbishment kit for control unit	Kit de révision du boîtier de commande
17.426	74.522	Frequenzumrichter	Frequency converter	Convertisseur de fréquence
17.427	74.523	Stossdämpfer komplett	Shock absorber complete	Amortisseur complet
17.428	74.524	Kurvenscheibe	Cam disc	Came
17.430	50.091	Tensilock-Sicherungsmuttern M6 zn F90	Self-locking nut M6 F90	Écrou autoblocant M6 zingué F90
17.431	50.067	Tensilock-Schraube M6x12 zn F90 8.8	Self-locking screw M6x12 8.8	Vis autoblocante M6x12 zinguée
17.432	64.521	Dämpferelement	Dämpferelement	Dämpferelement
17.433	64.520	Gummi-Metall Puffer	Rubber-metal buffer	Tampon en métal et caoutchouc
17.434	50.825	DIN 934 6-Kant-Mutter M4 zn	DIN 934 Hex nut M4 galv.	DIN 934 Écrou hex. M4 zingué
17.435	50.032	DIN 125 Scheibe B5,3 ST zn	DIN 125 Disc B5,3 ST galv.	DIN 125 Rondelle B5,3 ST zingué
17.436	50.017	DIN 127 Federring B4 zn	DIN 127 Split washer B4 galv.	DIN 127 Rondelle Grower B4 zingué
17.437	50.032	DIN 125 Scheibe B5,3 ST zn	DIN 125 Disc B5,3 ST galv.	DIN 125 Rondelle B5,3 ST zingué



Z.-Nr. item No. No. écl.	Art.-Nr. order No. N° réf.	Artikel D	Designation GB	Designation F
17.438	50.017	DIN 127 Federring B4 zn	DIN 127 Split washer B4 galv.	DIN 127 Rondelle Grower B4 zingué
17.439	50.825	DIN 934 6-Kant-Mutter M4 zn	DIN 934 Hex nut M4 galv.	DIN 934 Écrou hex. M4 zingué
17.440	50.973	DIN 7981 Linsenblechschraube	DIN 7981 Self tapping convex head screw	DIN 7981 Vis concave
17.441	50.032	DIN 125 Scheibe B5,3 ST zn	DIN 125 Disc B5,3 ST galv.	DIN 125 Rondelle B5,3 ST zingué
17.442	50.017	DIN 127 Federring B4 zn	DIN 127 Split washer B4 galv.	DIN 127 Rondelle Grower B4 zingué
17.446	64.454	Spindelführung	Spindle guide	Guidage de vis sans fin
17.447	50.111	Tensilock-Schraube M8x40 zn F90 8.8	Self-locking screw M8x40 8.8	Vis autoblocante M8x40 zinguée

**Collomix Rühr- und Mischgeräte GmbH**

Daimlerstr.9, D-85080 Gaimersheim

Bundesrepublik Deutschland

Tel.: ++49 (0)8458 32 98 - 0

Fax: ++49 (0)8458 32 98 30

[www.collomix.de](http://www.collomix.de)